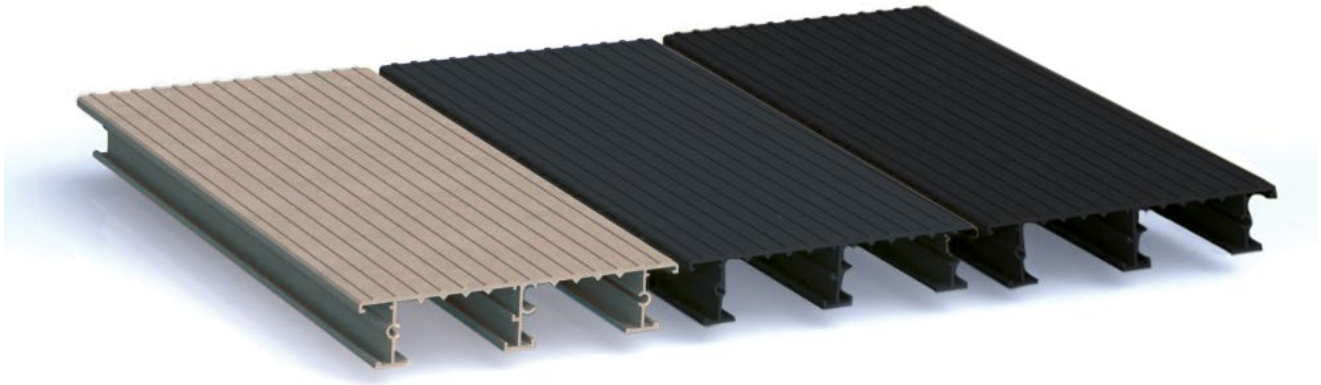
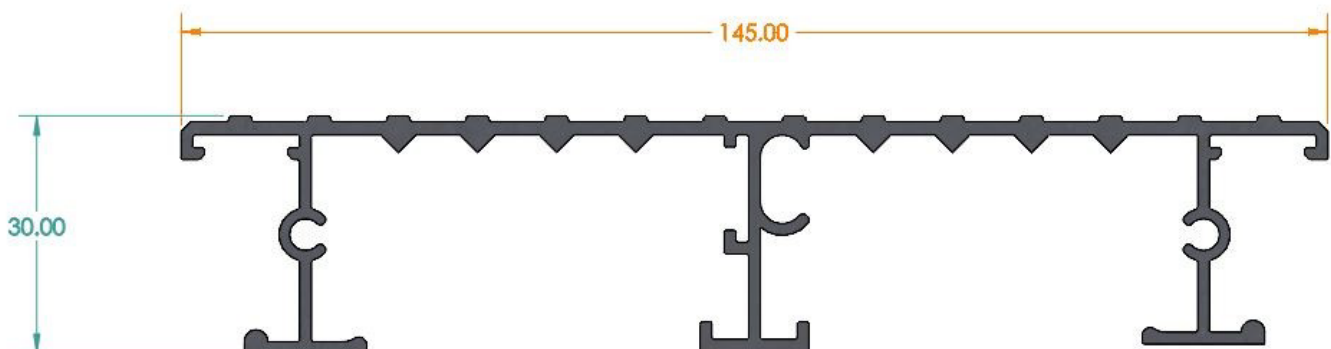


FIRE RATED ALUMINIUM DECKING



The Synergised Aluminium Decking System has been tested by the UK's leading fire test centre to EN 13823, EN 13501 and EN ISO 1716. All elements of the Synergised System achieve Euroclass Classifications of A1 and A2fl-s1. This independent testing satisfies current and proposed legal requirements and ensures compliance for all projects.

The system is designed for both residential and commercial environments such as high-rise balconies, walkways, roof terraces, pubs, gardens and all other high-rise applications in public areas. Available in 3 contemporary colours our deck boards are manufactured from structural grade 6063 T6 aluminium with 100 micron Qualicoat™ premium powder coating, making it the ideal decking solution for high footfall areas. The premium coating is low slip and provides low surface temperatures underfoot.

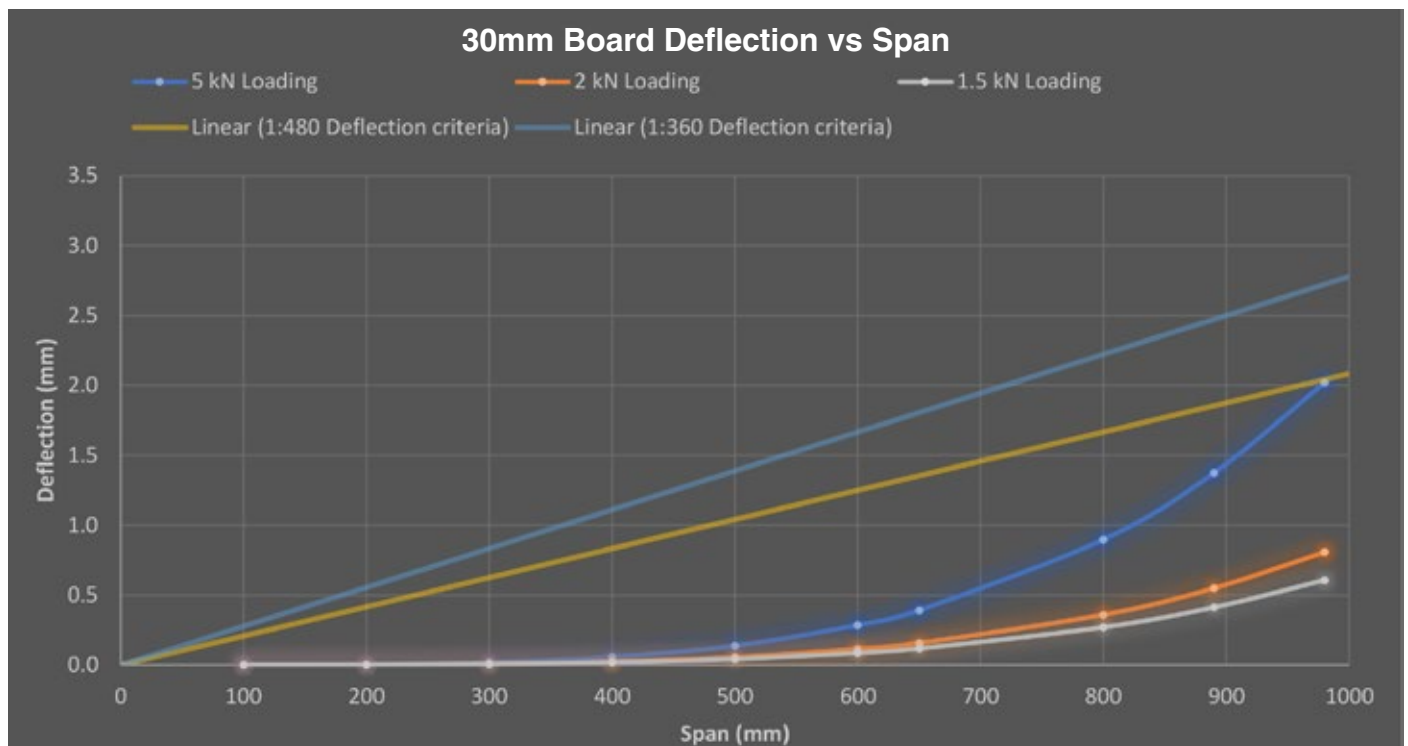


Synergised aluminium decking is a complete decking system, with one of the most advanced, high strength subframe systems available on the market. The deck boards and subframes are ideally suited for decks, balconies, terraces etc, and are both simple and quick to install. The system has a design life expectancy of more than +25 years.

TECHINICAL DATA

Weight	10.37 kg/m ² (boards only)	
Material	Aluminium 6063 T6	EN755/9
Slip resistance (dry)	65 mm	BS 7976-2:2002
Slip resistance (wet)	50 mm	BS 7976-2:2002
Shod ramp performance	29°-R12 (safe)	DIN 51130:2014
Board Expansion	0.25mm per linear metre per 10 degree Celsius rise/fall in temperature, so as an example a 3600mm deck board subject to a 20 degree Celsius rise in temperature would expand by 1.8mm.	

LOADING DEFLECTION (kN / m²)



Whilst every effort has been made to ensure the accuracy of the information supplied. F.H. Brundle cannot be held responsible for any errors or omissions. This product must only be employed for its original intended use. Any other use is wrong and potentially dangerous. Installation must be carried out in full compliance with current regulations. F.H. Brundle cannot be held liable for any damages resulting from wrongful, erroneous or negligent use.