

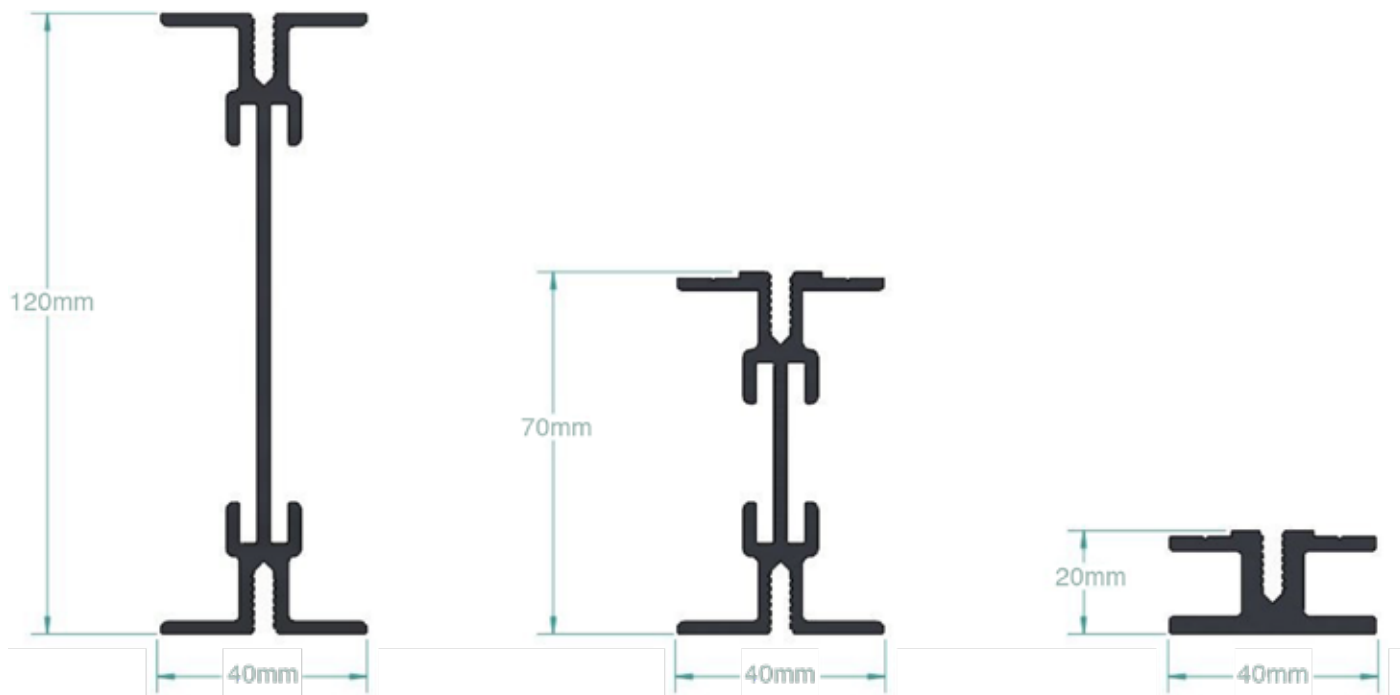
ALUMINIUM NON-COMBUSTIBLE DECKING



Synergised subframe come in 3 heights to cover all your base needs.

Fully non-combustible aluminium decking system designed for both residential and commercial environments such as high-rise balconies, walkways, roof terraces, pubs, gardens and all other high-rise applications and public areas.

Available in 3 contemporary colours our deck boards are manufactured from structural grade 6063 T6 aluminium with 100 micron Qualicoat™ premium powder coating, making it the ideal decking solution for high footfall areas. The premium coating is low slip and provides low surface temperatures underfoot.

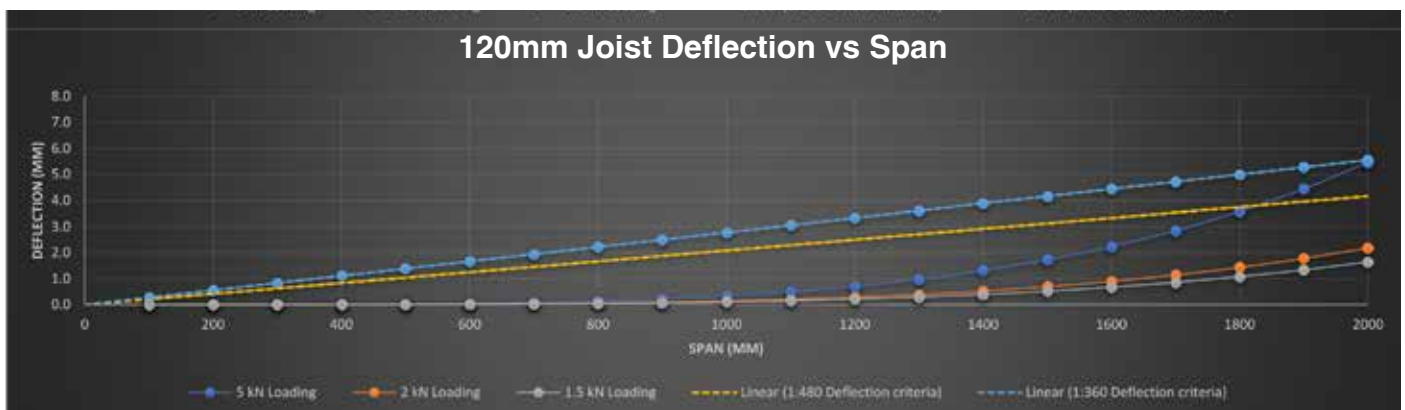


Synergised aluminium decking is a complete decking system, with one of the most advanced, high strength sub-frame systems available on the market. The subframe is available in 3 standard heights (120, 70 & 20mm) to cover all your requirements, and all joist options are the same width (40mm), and use the same unique fixing system, which dramatically cuts down on-site installation time.

TECHINICAL DATA

	20mm Joist	70mm Joist	120mm Joist
Weight	0.99 kg/m	1.47 kg/m	1.87 kg/m
Material	Aluminium 6063 T6	Aluminium 6063 T6	Aluminium 6063 T6
Joist Height	20 mm	70 mm	120 mm
Joist Width	40 mm	40 mm	40 mm

LOADING DEFLECTION



Whilst every effort has been made to ensure the accuracy of the information supplied. F.H. Brundle cannot be held responsible for any errors or omissions. This product must only be employed for its original intended use. Any other use is wrong and potentially dangerous. Installation must be carried out in full compliance with current regulations. F.H. Brundle cannot be held liable for any damages resulting from wrongful, erroneous or negligent use.